



BREAK GLASS CALL POINT

BG-01, BG-Y01, BG-W01

MASTER CONTROLS

FEATURES

- ◆ True break glass type
- ◆ Heavy duty wiring terminal
- ◆ Surface and flush mounting
- ◆ Customized marking available
- ◆ Compatible to all fire alarm system



BG - R01

DESCRIPTION

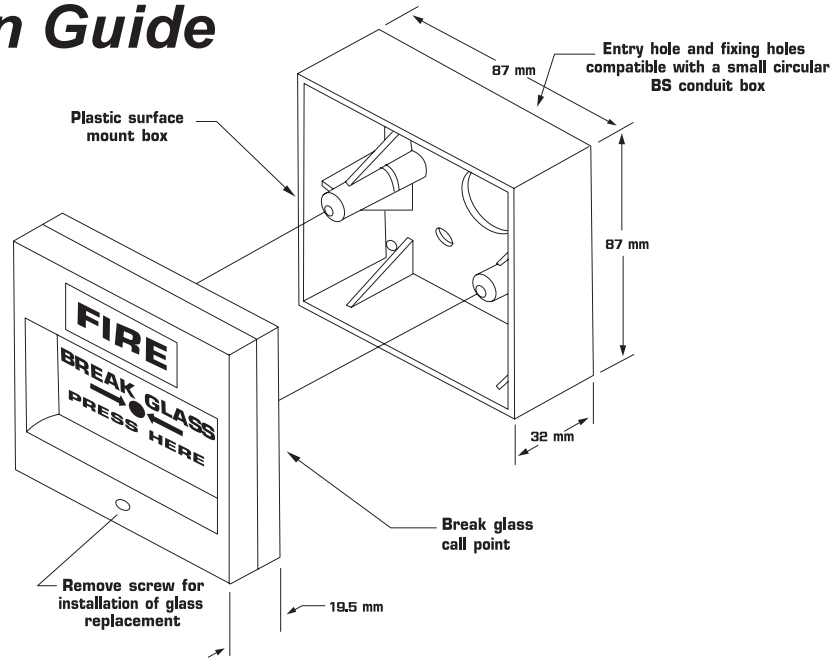
The break glass call point is a common used manual signaling device in many fire alarm systems. In the case of a fire, one can break the glass of the call point simply by pressing the glass with a finger to create manual fire signal without using hammer. A plastic coating on the glass will prevent the operator from being injured by the fragment of the broken glass.

The break glass call point is supplied with a test key that can be used to test the call point without breaking or removing the glass. When the glass of the call point is broken the alarm signal will be remained activated until the glass is replaced. The spare glass is supplied as an option. The break glass call point can also be use as a special switch for other application with different color code such as emergency switch and emergency door release.

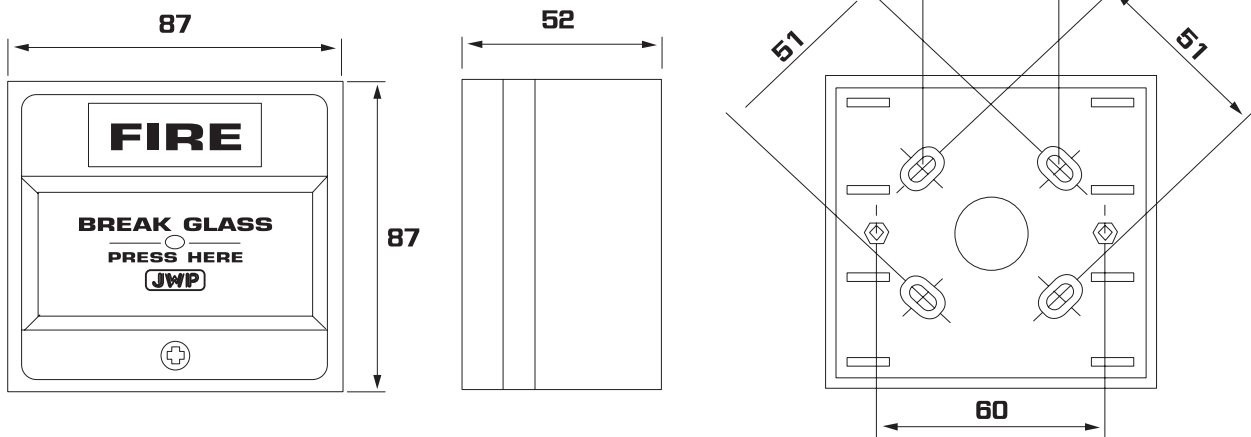
SPECIFICATION

Model	BG-R01	Red for fire alarm
	BG-Y01	Yellow for emergency switch
	BG-W01	White for emergency door release
Contact	Silver alloy	
Contact rating	250Vac	10 Amp
	125Vdc	0.6 Amp
	30Vdc	6 Amp
Maximum contact resistance	15 mΩ	
Minimum insulation resistance	100 MΩ	
Wiring terminal	Maximum 2.5 mm ² for single conductor	
Dimensions	87 x 87 x 52 mm	
Application	Indoor use only	
Operating temperature	-10°C to 65°C	

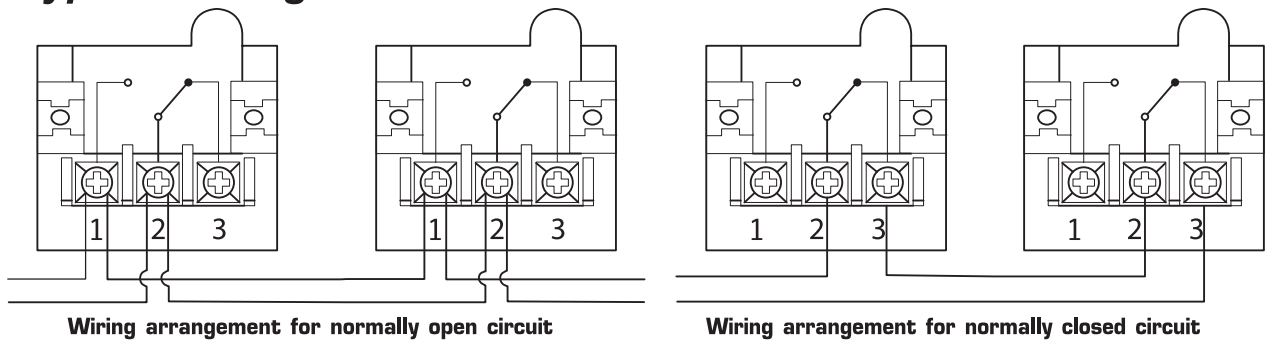
Installation Guide



DIMENSIONS



Typical Wiring



MASTER CONTROLS CO., LTD.

100/69 Vongvanit Building B, 22nd Floor, Rama 9 Rd., Huaykhwang, Bangkok 10320 Tel: 02645-1440-43 Fax: 02248-7701